



NAAC Accredited 

ISO 9001:2015 Certified Institution

TULSIRAMJI GAIKWAD-PATIL

College of Engineering & Technology

(Approved by AICTE, Recognized by Govt. of Maharashtra & Affiliated to MSBTE, Mumbai)

DTE Code: 4151

www.tgp cet.com

7.1.9 Differently able (Divyangjan) friendliness

INDEX

Sr. No.	Certificate Course	Page No.
1	Auto Cad Certificate Course	
	1.1 Brochure	1
	1.2 Syllabus	3
	1.3 Sample Paper	6
	1.4 Attendance	8
	1.5 Certificates	13



**Tulsiramji Gaikwad-Patil College
Engineering & Technology, Nagpur**

KEC

**Auto CAD technical
Training module**

16 Dec. 2018 to 20 Mar. 2019

Technical Training on Auto CAD

Organized by

Technical Training & Skill

Development Cell

Contact:

Mr. Nitin Kakde

9890566884





**Tulsiramji Gaikwad-Patil College
Engineering & Technology, Nagpur**

KEC

**Auto CAD
Technical
Training**

**Technical Training & Skill
Development Cell**

11 July 2017

to

20 Sept 2017

Contact:

Mr. Nitin Kakd

9890566884





Technical Training & Skill Development Cell

Session 2018-2019**Certification Course on Auto CAD.****Syllabus****(Course Code 19CCAC-AutoCAD for Industry Usage)****COURSE NAME: Auto CAD for Industry Usage****AIM:** To understand how to draw the 2D & 3D models.**OBJECTIVE:**

1. To know basic engineering drawing formats.
2. To know basic Auto CAD skills.
3. To understand the concept and techniques to draw.
4. To know sketching and taking field dimensions..

COURSE OUTCOMES: After completion of course Student should be able to:

- Understand the twin powered turbo engine working and construction
- Understanding the assembly and disassembling process of state of Art BMW Engine
- Understanding the Engine Mechanism
- Understanding the maintenance and repairing process of BMW engine
- Understanding the efficiently functioning process of BMW Engine

THEORY & PRACTICAL HOURS: 40



Technical Training & Skill Development Cell

FACULTY TRAINER: Mr. Nitin Kakde

Unit No.	Unit Name	Unit level outcomes	Contents (chapters/topics)	TH& PR hours
UNIT-I	Introduction	Introduction to Auto CAD & various commands	Introduction to AutoCAD, Starting AutoCAD, AutoCAD's User Interface, Working with Commands , Opening an Existing Drawing File, Viewing Your Drawing, Saving Your Work, Basic Drawing & Editing Commands: Drawing Lines, line types, applications, line types, applications, properties, Erasing Objects, Drawing Lines, line types, applications, properties, Erasing Objects, Drawing Lines with Polar Tracking, Drawing Rectangles, Drawing Circles, Undo and Redo Actions.	08
UNIT-II	Drawing Precision in AutoCAD	Introduction to Drawing Precision in AutoCAD	Drawing Precision in AutoCAD using Polar Tracking at Angles, Object Snap Tracking, Drawing with Snap and Grid (Optional), Making Changes in Your Drawing: Selecting Objects for Editing, Moving Objects, Copying Objects, Rotating Objects, Scaling Objects, Mirroring Objects, and Layers. Layer States, Changing an Object's Layer, work in Layers, Draw plan in Layers.	08
UNIT-III	Drawing of various component in Auto CAD	Introduction to Drawing of various component in Auto CAD	Draw a plan, draw various components. Draw Complex Geometrical Figures, Use of Various Circle, Arc commands, Use of edit commands trim, extend, mirror, copy, Dimensioning command, Edit dimension style, Text in AutoCAD, Importance, Text Editing, Plotting command.	08
UNIT-IV	Dimensioning & 3D Drawings	Introduction to 3D drawing	Dimensioning, Text and Plot Commands, Isometric and 3D Drawings, Plotting a drawing , Solid Editing Commands, View Commands, 3D Object and 3D operations, Shade and Enquiry commands, Rendering.	08
UNIT-V	Altering Objects	Introduction to Altering Objects	Trimming and Extending Objects to defined Boundaries, Creating Parallel and Offset Geometry, Joining Objects, Breaking an Object into Two Objects, Applying a Radius Corner to Two, Objects, Creating an Angled Corner Between Two Objects, Changing Part of an Object's Shape Using Grips Chapter exercise	08


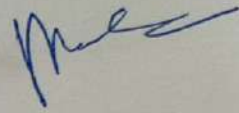
**Tulsiramji Gaikwad-Patil College of Engineering and Technology**

Wardha Road, Nagpur-441 108

NACC Accredited

Technical Training & Skill Development Cell

UNIT-VI	Creating Additional Drawing Objects	Creating Additional Drawing Objects	Working with Polylines: Creating Splines, Creating Ellipses, Using Tables, Chapter exercise	05
---------	-------------------------------------	-------------------------------------	---	----


Mr. Nitin Kakde
Course Coordinator
TT&SD Coordinator



Session 2018-2019 (Even Semester)

Course: 19CCAC-AutoCAD for Industry Usage

(Certification Course on Auto CAD)

Time: 2:00 Hour

Max Marks: 75M

(Practical Questions)

Ashish Badgujan

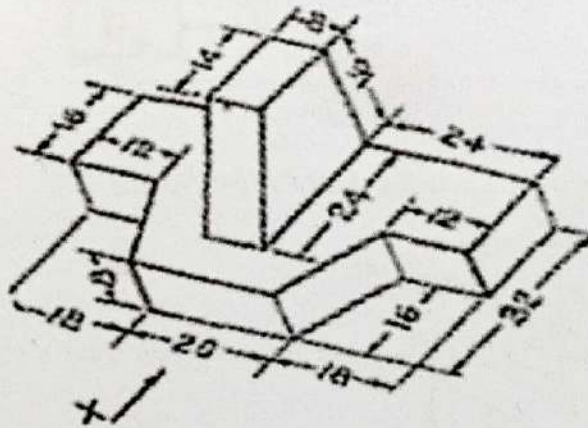
Instructions to candidates:

1. Assume suitable data wherever necessary.
2. All question carry marks as indicated.
3. Use of non-programmable calculator allowed.

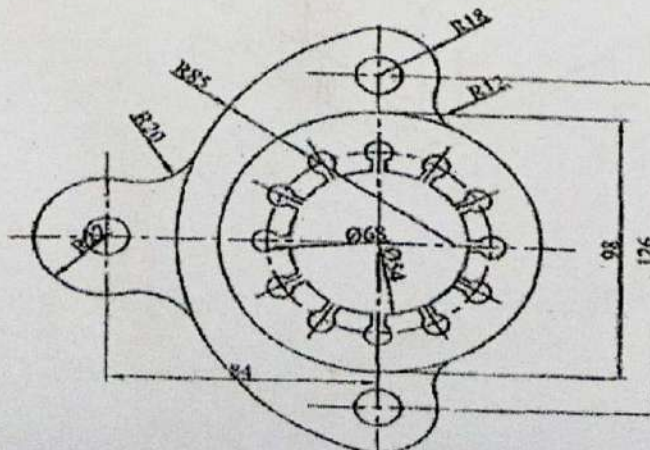
P	V	T
41	14	55
75	25	100

Q. 1) Solve any three. (Each carries 25 M)

- 1 Draw the isometric view using CAD of Fig. (no need to give dimensions)

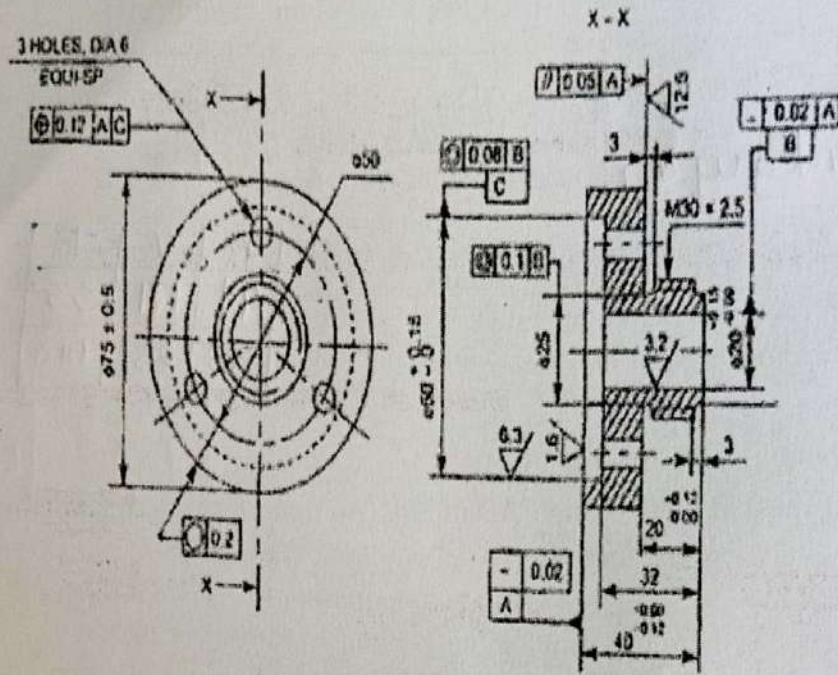


- 2 Draw Following diagram using AutoCAD software

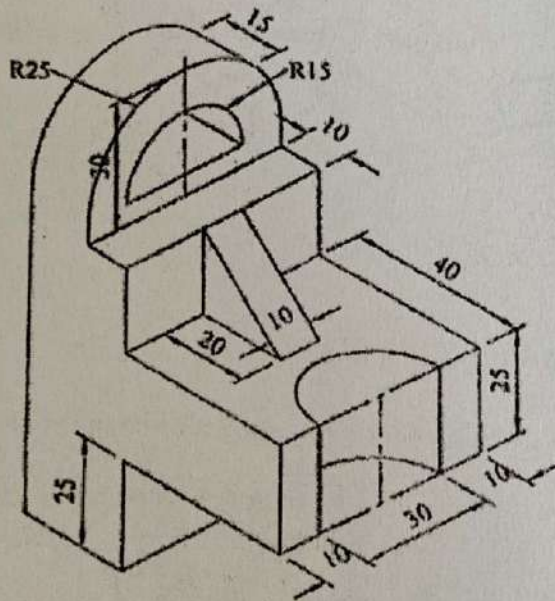




3 Draw Following diagram using AutoCAD software



4 Draw Following Isometric diagram using AutoCAD software



Session 2018-19

Roll No.	Name of student	17	18	24	25	31
		07	07	07	07	07
		①	②	③	④	⑤
1	Achal Bimbale	P	P	A	P	P
2	Anchala Panwar	A	P	P	A	P
3	Anjali Ingale	P		P	P	P
4	Anuradha Singh	P	P	P	A	P
5	Ashwini Satpate	A	P	P	P	A
6	B Dally Wasnik	P	A	A	P	P
7	Gayatri Deshkar	A	A	P	P	A
8	Paalabai Barchhhere	P	P	P	A	A
9	Pratiksha Kargari	A	P	P	A	P
10	Swati Kurwadkar	P	A	A	A	P
11	Abhijeet Pataliya	P	A	P	P	P
12	Abhijeet Pataliya	P	A	P	A	P
13	Abhijeet Mishra	A	P	P	A	P
14	Aditya Meshram	P	A	A	P	P
15	Ajay Dhakate	P	A	P	P	P
16	Ajinkya Guri	A	A	P	P	A
17	Akash Bhalewad	P	P	P	A	P
18	Akash Makhiya	P	A	P	A	P
19	Akash Basane	P	P	P	P	P
20	Akash Gauran	A	A	P	P	P
21	Akhil Kolbande	P	P	P	P	P
22	Akshay Ransing	P	A	P	A	P
23	Akshay Shriname	P	P	P	P	P
24	Akshay Thakre	P	P	P	P	A
25	Akshay Adalakondawar	P	A	P	P	A
26	Alamraza Khan	P	P	P	P	P
27	Amit Ingale	P	A	P	P	
28	Amit Tikhate	A	P	P	A	P
29	Amal Lagnjewar	P	A	P	P	P
30	Amal Raut	P	P	P	A	P
31	Amal Jadhav	P	P	P	P	P
32	Aniket Nikam	P	A	P	P	A
33	Aniket Prinjapati	P	P	P	A	P
34	Ankush Solanki	P	P	P	P	P
35	Ankushkumar Vele	A	P	P	P	P
	Signature of Student					
	Signature of Faculty					

Session-2018-19

01	07	08	14	21	22	28	29
08	08	08	08	08	08	08	08
⑥	⑦	⑧	⑨	⑩	⑪	⑫	⑬
P	P	P	P	P	P	A	P
P	P	P	P	P	P	P	A
P	P	P	P	P	A	P	P
P	A	P	P	P	A	P	P
A	P	A	P	P	P	P	P
P	A	P	P	P	A	P	P
A	P	A	P	P	P	P	P
P	A	P	P	P	A	P	A
A	P	P	A	P	A	P	A
P	P	A	P	A	P	A	P
P	A	A	P	P	P	P	P
P	A	A	P	A	P	P	P
A	P	A	A	P	A	P	A
A	P	P	A	P	P	P	P
P	P	A	P	P	A	A	P
P	A	A	P	P	P	P	A
A	P	P	A	A	P	P	P
A	P	P	A	A	P	P	P
P	P	P	P	P	P	P	P
A	P	A	P	A	P	P	A
P	A	P	P	P	P	P	A
A	P	A	P	P	A	P	A
P	A	A	P	P	P	P	P
P	P	A	P	P	P	P	P
A	P	P	A	P	P	P	P
P	A	P	P	P	P	P	A
P	A	A	P	P	P	P	A

Session 2016-17

Roll No.	Name of student	10	11	17	18	31
		01	01	01	01	01
		(1)	(2)	(3)	(4)	(5)
74	Aayush Jangade	P	A	P	P	P
75	Akhishek Karale	A	P	A	P	A
76	Akash Shelare	P	A	P	A	P
77	Akshay Shende	A	P	P	P	A
78	Ali Akram	P	P	P	P	P
79	Amit Kumbhare	P	P	P	A	A
80	Anand Sawarkar	P	P	P	A	P
81	Atal Dabey	A	A	A	P	A
82	Chandankumar Singh	P	P	P	P	A
83	Chandra Shekhar Madavi	P	P	P	A	P
84	Chetan Nagpurkar	A	A	P	P	A
85	Gaurav Thakre	P	P	A	P	P
86	Harshad Patil	P	P	P	P	P
87	Mohit Gonnade	P	P	P	P	P
88	Nayan Warudkar	P	P	P	P	P
89	Nutan Bagde	P	A	P	P	P
90	Pankaj Welekar	A	P	A	P	P
91	Pradeep Biswas	P	A	P	P	A
92	Pranay Dasrekar	P	P	A	A	P
93	Pravin Raut	P	P	A	A	P
94	Prayag Dongare	A	A	A	P	P
95	Rahul Shembekar	P	P	P	A	A
96	Rakesh Mendhe	P	P	P	P	P
97	Rakshita Deogade	P	P	P	P	P
98	Rishabh Jit	P	P	P	P	P
99	Ritesh Nandanwar	P	P	P	P	A
100	Rohit Ratat	P	A	P	P	P
101	Roshan Waghmare	P	P	P	P	P
102	Roshan Marghade	A	P	P	P	A
103	Roshan Thote	P	A	P	P	A
104	Rupesh Badole	A	A	P	P	P
105	Rupesh Halmore	A	P	P	P	P
106	Rushabh Banarase	P	P	P	A	P
107	Sachin Anjan Kar	P	P	P	P	P
108	Sachin Bajid	A	P	P	P	P
109	Saim Sahir	P	A	P	P	A
110	Samudh Wakade	P	P	A	P	P

Signature of Student
Signature of Faculty

(6) (7) (8) (9) (10) (11)

61	07	14	15	22	28
02	02	02	02	02	02
P	P	P	P	P	P
A	P	P	P	P	A
P	A	A	P	A	P
A	P	P	A	P	A
P	P	A	P	P	P
P	P	A	P	P	A
A	P	P	P	A	P
P	A	P	P	P	A
A	P	A	P	P	P
P	P	A	A	A	A
P	A	P	P	P	P
A	P	A	P	A	P
P	P	P	P	P	P
A	P	P	P	P	P
P	P	P	P	P	P
A	P	P	P	P	P
P	A	P	P	P	P
A	P	P	P	P	P
P	A	P	P	P	P
P	P	P	P	P	P
A	P	P	P	P	P
P	A	P	P	P	P
A	P	P	P	P	P
P	P	P	P	P	P
A	P	P	P	P	P
P	A	P	P	P	P
P	P	P	P	P	P
A	P	P	P	P	P
P	A	P	P	P	P
P	P	P	P	P	P
A	P	P	P	P	P
P	P	P	P	P	P

Session-2016-17

(15) (16) (17) (18) (19)

Roll No.	Name of student	10	11	17	18	31
		01	01	01	01	01
		①	②	③	④	⑤
111	Sandeep Rode	A	P	P	P	P
112	Sanket Sharbharkar	P	P	P	P	P
113	Sanket Patil	P	P	P	P	P
114	Satish Ganpatrao	P	P	P	A	A
115	Saurabh Sangekar	A	P	P	P	P
116	Saurabh Shende	A	A	A	A	A
117	Shahu Deshmukh	P	P	A	P	P
118	Shahlesh Bunde	P	P	P	P	P
119	Saurabh Vyawahare	P	P	A	P	P
120	Shantaram Mahajan	A	P	P	P	P
121	Sharang Boddalwar	P	P	A	P	P
122	Shubham Sakhare	P	P	P	P	P
123	Shubham Parbhankar	P	P	P	P	P
124	Shubham Meshram	A	P	P	P	P
125	Shubham Navghare	A	P	P	P	P
126	Shubham Satane	P	P	P	P	P
127	Shubham Dwivedi	P	P	P	P	P
128	Shubham Sawane	P	P	P	P	P
129	Sneha Umredkar	P	P	P	A	P
130	Saurabh Bankar	P	P	A	P	P
131	Sudagshan Gatre	A	A	P	P	A
132	Sumit Kumar	P	P	P	P	P
133	Sunil Meshram	P	A	P	P	P
134	Suraj Choudhari	P	P	P	A	P
135	Sushil Karde	P	P	P	P	P
136	Swapnil Somarkar	P	P	P	A	P
137	Tapas Paul	P	P	P	P	P
138	Tuhin Dey	P	P	P	P	P
139	Vaibhav Sawtkar	P	A	P	P	P
140	Vaibhav Kumbade	A	P	P	A	P
141	Vaibhav Surtewar	P	P	A	P	P
142	Vaibhavrao Mashidkar	P	A	P	P	A
143	Vanmala Rathod	A	P	P	P	A
144	Vijay Perka	A	P	P	P	P
145	Vinod Kore	P	P	P	P	A
146	Waman Katre	A	A	P	P	P
147	Yogesh Parihar	P	P	A	P	P

Signature of Student
Signature of Faculty

[Handwritten signature]
[Handwritten signature]

Session 2016-17

(6) (7) (8) (9) (10) (11) (12)

01	07	08	14	15	22	28
02	02	02	02	02	02	02
P	P	A	A	P	P	
P	P	P	A	P	P	
P	P	A	P	P	P	
A	P	P	P	P	P	
P	A	P	P	A	P	
P	P	A	P	P	A	
A	A	A	A	A	P	
P	P	A	P	P	P	
P	P	P	P	A	P	
P	P	P	A	P	P	
P	A	A	P	P	P	
A	P	P	A	P	P	
A	P	P	P	A	P	
A	P	A	A	P	P	
A	P	P	P	P	A	
P	P	P	P	A	P	
A	A	P	P	P	P	
P	P	A	A	P	P	
A	P	A	P	P	P	
A	A	P	P	A	A	
A	P	P	A	P	A	
P	P	A	P	P	A	
A	P	P	A	A	P	
A	P	P	A	P	P	
P	P	P	A	P	P	
P	P	P	P	P	P	
P	P	P	P	A	P	
P	P	P	P	A	P	
P	P	P	P	P	P	
P	P	P	P	P	P	

[Handwritten signature]
[Handwritten signature]



NAAC Accredited

ISO 9001:2015 Certified Institutions

TULSIRAMJI GAIKWAD-PATIL
College of Engg. & Technology, Nagpur

Wardha Road, Nagpur, India - 441 108

Approved by AICTE New Delhi / Govt. of Maharashtra & Affiliated to RTM Nagpur University



GAIKWAD-PATIL
GROUP OF INSTITUTIONS

Technical Training & Skill Development Cell
Session 2018-19
CETIFICATE

This is to Certify that **Mr. Ashish Vijay Barabhai** of
Mechanical Engineering Department, Student of **6** Semester has
Successfully Completed Certification Course During **16/12/2018 to 20/03/2019**
Course Organized in association with **KEC**

18CCCREO - CREO 2.0 <input type="checkbox"/>	18CCNC - CNC P&D <input type="checkbox"/>	18CCBMW - BMW <input type="checkbox"/>	18CAUTO - AUTOCAD <input checked="" type="checkbox"/>	18CCSP - STAADPRO <input type="checkbox"/>
18CCCN - CCNA <input type="checkbox"/>	18CCORA - ORACLE SQL <input type="checkbox"/>	18CCCN - C#.NET <input type="checkbox"/>	18CCPHP - PHP <input type="checkbox"/>	18CCJ - CORE JAVA <input type="checkbox"/>
18CCNL - MATLAB <input type="checkbox"/>				

Course Coordinator

Technical Training & Skill Development
Cell Coordinator

External Agency
Coordinator

Prof. Sandeep Gaikwad
Principal, TGPET

KEC
KEC INTERNATIONAL LIMITED

CADD
CENTRE



UNITECH
ENGINEERING

Date: 22/03/2019



NAAC Accredited

ISO 9001:2015 Certified Institutions

TULSIRAMJI GAIKWAD-PATIL
College of Engg. & Technology, Nagpur



GAIKWAD-PATIL
GROUP OF INSTITUTIONS

Wardha Road, Nagpur, India - 441 108

Approved by AICTE New Delhi / Govt. of Maharashtra & Affiliated to RTM Nagpur University

Technical Training & Skill Development Cell

Session 2018-19

CETIFICATE

This is to Certify that **Mr. Atharva Sandip Sagdeo** of
Mechanical Engineering Department, Student of **6** Semester has
Successfully Completed Certification Course During **16/12/2018 to 20/03/2019**
Course Organized in association with **KEC**

18CCCREO - CREO 2.0
18CCCCNA - CCNA
18CCML - MATLAB

18CCNC - CNC P&O
18CCORA - ORACLE SQL

18CCBMW - BMW
18CCCN - C#.NET

18CCAUTO - AUTOCAD
18CCPHP - PHP

18CCSP - STAADPRO
18CCJ - CORE JAVA

Course Coordinator

Technical Training & Skill Development
Cell Coordinator

External Agency
Coordinator

Prof. Sandeep Gaikwad
Principal, TGPCET

KEC
KEC INTERNATIONAL LIMITED

CADD
CENTRE



Date: 22/03/2019



NAAC Accredited

ISO 9001:2015 Certified Institutions

TULSIRAMJI GAIKWAD-PATIL
College of Engg. & Technology, Nagpur



GAIKWAD-PATIL
GROUP OF INSTITUTIONS

Wardha Road, Nagpur, India - 441 108

Approved by AICTE New Delhi / Govt. of Maharashtra & Affiliated to RTM Nagpur University

Technical Training & Skill Development Cell Session 2018-19 CERTIFICATE

This is to Certify that **Mr. Avinash Kailas Hembade** of
Mechanical Engineering Department, Student of **6** Semester has
Successfully Completed Certification Course During **16/12/2018 to 20/03/2019**
Course Organized in association with **KEC**

18CCCREO - CREO 2.0
18CCCCNA - CCNA
18CCML - MATLAB

18CCNC - CNC P&D
18CCORA - ORACLE SQL

18CCBMW - BMW
18CCCN - C#.NET

18CCAUTO - AUTOCAD
18CCPHP - PHP

18CCSP - STAADPRO
18CCJ - CORE JAVA

Course Coordinator

Technical Training & Skill Development
Cell Coordinator

External Agency
Coordinator

Prof. Sandeep Gaikwad
Principal, TGPCET

KEC
KEC INTERNATIONAL LIMITED

CADD
CENTRE



UNITECH
ENGINEERING
SOLUTIONS

Date: 22/03/2019



NAAC Accredited

ISO 9001:2015 Certified Institutions

TULSIRAMJI GAIKWAD-PATIL
College of Engg. & Technology, Nagpur

Wardha Road, Nagpur, India - 441 108

Approved by AICTE New Delhi / Govt. of Maharashtra & Affiliated to RTM Nagpur University



GAIKWAD-PATIL
GROUP OF INSTITUTIONS

Technical Training & Skill Development Cell
Session 2018-19
CETIFICATE

This is to Certify that **Mr. Balasaheb Vaijanath Jadhav** of
Mechanical Engineering Department, Student of **6** Semester has
Successfully Completed Certification Course During **16/12/2018 to 20/03/2019**
Course Organized in association with **KEC**

18CCCREO - CREO 2.0
18CCCNNA - CCNA
18CCML - MATLAB

18CCNC - CNC P&D
18CCORA - ORACLE SQL

18CCBMW - BMW
18CCCN - C#.NET

18CAUTO - AUTOCAD
18CCPHP - PHP

18CCSP - STAADPRO
18CCJ - CORE JAVA

Course Coordinator

Technical Training & Skill Development
Cell Coordinator

External Agency
Coordinator

Prof. Sandeep Gaikwad
Principal, TGPCET

KEC
KEC INTERNATIONAL LIMITED

CADD
CENTRE
Driving Digital Design



UNITECH
ENGINEERING
SOLUTIONS

Date: 22/03/2019



NAAC Accredited

ISO 9001:2015 Certified Institutions

TULSIRAMJI GAIKWAD-PATIL
College of Engg. & Technology, Nagpur



GAIKWAD-PATIL
GROUP OF INSTITUTIONS

Wardha Road, Nagpur, India - 441 108

Approved by AICTE New Delhi / Govt. of Maharashtra & Affiliated to RTM Nagpur University

Technical Training & Skill Development Cell
Session 2018-19
CETIFICATE

This is to Certify that **Mr. Bramhanand Dewaji Adhau** of
Mechanical Engineering Department, Student of **6** Semester has
Successfully Completed Certification Course During **16/12/2018 to 20/03/2019**
Course Organized in association with **KEC**

18CCCREO - CREO 2.0 <input type="checkbox"/>	18CCNC - CNC P&O <input type="checkbox"/>	18CCBMW - BMW <input type="checkbox"/>	18CCAUTO - AUTOCAD <input checked="" type="checkbox"/>	18CCSP - STAADPRO <input type="checkbox"/>
18CCCN - CCNA <input type="checkbox"/>	18CCORA - ORACLE SQL <input type="checkbox"/>	18CCCN - C#.NET <input type="checkbox"/>	18CCPHP - PHP <input type="checkbox"/>	18CCJ - CORE JAVA <input type="checkbox"/>
18CCML - MATLAB <input type="checkbox"/>				

Course Coordinator

Technical Training & Skill Development
Cell Coordinator

External Agency
Coordinator

Prof. Sandeep Gaikwad
Principal, TGPCT

KEC
KEC INTERNATIONAL LIMITED

CADD
CENTRE
Creating Digital Designs



UNITECH
ENGINEERING

Date: 22/03/2019



NAAC Accredited

ISO 9001:2015 Certified Institutions

TULSIRAMJI GAIKWAD-PATIL
College of Engg. & Technology, Nagpur

Wardha Road, Nagpur, India - 441 108

Approved by AICTE New Delhi / Govt. of Maharashtra & Affiliated to RTM Nagpur University



GAIKWAD-PATIL
GROUP OF INSTITUTIONS

Technical Training & Skill Development Cell
Session 2018-19
CETIFICATE

This is to Certify that **Mr. Deepak Pralhad Dahane** of
Mechanical Engineering Department, Student of **6** Semester has
Successfully Completed Certification Course During **16/12/2018 to 20/03/2019**
Course Organized in association with **KEC**

18CCCREO - CREO 2.0
18CCCCNA - CCNA
18CCML - MATLAB

18CCNC - CNC P&O
18CCORA - ORACLE SQL

18CCBMW - BMW
18CCCN - C#.NET

18CCAUTO - AUTOCAD
18CCPHP - PHP

18CCSP - STAADPRO
18CCJ - CORE JAVA

Course Coordinator

Technical Training & Skill Development
Cell Coordinator

External Agency
Coordinator

Prof. Sandeep Gaikwad
Principal, TGPCET

KEC
KEC INTERNATIONAL LIMITED

CADD
CENTRE
Pursuing Digital Revolution



UNITECH
ENGINEERING
SOLUTIONS

Date: 22/03/2019



NAAC Accredited

ISO 9001:2015 Certified Institutions

TULSIRAMJI GAIKWAD-PATIL
College of Engg. & Technology, Nagpur

Wardha Road, Nagpur, India - 441 108

Approved by AICTE New Delhi / Govt. of Maharashtra & Affiliated to RTM Nagpur University



GAIKWAD-PATIL
GROUP OF INSTITUTIONS

Technical Training & Skill Development Cell
Session 2018-19
CETIFICATE

This is to Certify that **Mr. Devendra Yashwant Machhirke** of
Mechanical Engineering Department, Student of **6** Semester has
Successfully Completed Certification Course During **16/12/2018 to 20/03/2019**
Course Organized in association with **KEC**

18CCCREO - CREO 2.0 <input type="checkbox"/>	18CCNC - CNC P&O <input type="checkbox"/>	18CCBMW - BMW <input type="checkbox"/>	18CCAUTO - AUTOCAD <input checked="" type="checkbox"/>	18CCSP - STAADPRO <input type="checkbox"/>
18CCCN - CCNA <input type="checkbox"/>	18CCORA - ORACLE SQL <input type="checkbox"/>	18CCCN - C#.NET <input type="checkbox"/>	18CCPHP - PHP <input type="checkbox"/>	18CCJ - CORE JAVA <input type="checkbox"/>
18CCML - MATLAB <input type="checkbox"/>				

Course Coordinator

Technical Training & Skill Development
Cell Coordinator

External Agency
Coordinator

Prof. Sandeep Gaikwad
Principal, TGPCT

KEC
KEC INTERNATIONAL LIMITED

CADD
CENTRE
Creating Digital Designers



UNITECH
ENGINEERING
SOLUTIONS

Date: 22/03/2019



NAAC Accredited

ISO 9001:2015 Certified Institutions

TULSIRAMJI GAIKWAD-PATIL
College of Engg. & Technology, Nagpur

Wardha Road, Nagpur, India - 441 108

Approved by AICTE New Delhi / Govt. of Maharashtra & Affiliated to RTM Nagpur University



GAIKWAD-PATIL
GROUP OF INSTITUTIONS

Technical Training & Skill Development Cell
Session 2018-19
CETIFICATE

This is to Certify that **Mr. Dileep Dangadhar Surkutlawar** of
Mechanical Engineering Department, Student of **6** Semester has
Successfully Completed Certification Course During **16/12/2018 to 20/03/2019**
Course Organized in association with **KEC**

18CCCRED - CRED 2.0
18CCCCNA - CCNA
18CCML - MATLAB

18CCNC - CNC P&O
18CCORA - ORACLE SQL

18CCBNW - BMW
18CCCN - C#.NET

18CCAUTO - AUTOCAD
18CCPHP - PHP

18CCSP - STAADPRO
18CCJ - CORE JAVA

Course Coordinator

Technical Training & Skill Development
Cell Coordinator

External Agency
Coordinator

Prof. Sandeep Gaikwad
Principal, TGPCET

KEC

KEC INTERNATIONAL LIMITED

CADD
CENTRE



UNITECH
ENGINEERING

Date: 22/03/2019



NAAC Accredited

ISO 9001:2015 Certified Institutions

TULSIRAMJI GAIKWAD-PATIL
College of Engg. & Technology, Nagpur

Wardha Road, Nagpur, India - 441 108

Approved by AICTE New Delhi / Govt. of Maharashtra & Affiliated to RTM Nagpur University



GAIKWAD-PATIL
GROUP OF INSTITUTIONS

Technical Training & Skill Development Cell
Session 2018-19
CETIFICATE

This is to Certify that **Mr. Ganesh Shankar Ghotekar** of
Mechanical Engineering Department, Student of **6** Semester has
Successfully Completed Certification Course During **16/12/2018 to 20/03/2019**
Course Organized in association with **KEC**

18CCCREO - CREO 2.0
18CCCCNA - CCNA
18CCNL - MATLAB

18CCNC - CNC P&O
18CCORA - ORACLE SQL

18CCBMW - BMW
18CCCN - C#.NET

18CCAUTO - AUTOCAD
18CCPHP - PHP

18CCSP - STAADPRO
18CCJ - CORE JAVA

Course Coordinator

Technical Training & Skill Development
Cell Coordinator

External Agency
Coordinator

Prof. Sandeep Gaikwad
Principal, TGPCET

KEC
KEC INTERNATIONAL LIMITED

CADD
CENTRE



UNITECH
ENGINEERING

Date: 22/03/2019



NAAC Accredited

ISO 9001:2015 Certified Institutions

TULSIRAMJI GAIKWAD-PATIL
College of Engg. & Technology, Nagpur

Wardha Road, Nagpur, India - 441 108

Approved by AICTE New Delhi / Govt. of Maharashtra & Affiliated to RTM Nagpur University



GAIKWAD-PATIL
GROUP OF INSTITUTIONS

Technical Training & Skill Development Cell Session 2018-19 CERTIFICATE

This is to Certify that **Ms. Achal Siddharth Bambole** of
Mechanical Engineering Department, Student of **5** Semester has
Successfully Completed Certification Course During **17/07/2018 to 20/09/2018**
Course Organized in association with **KEC**

18CCCREO - CREO 2.0
18CCCNNA - CCNA
18CCML - MATLAB

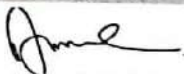
18CCNC - CNC P&O
18CCORA - ORACLE SQL

18CCBMW - BMW
18CCN - C#.NET

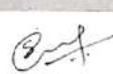
18CAUTO - AUTOCAD
18CCPHP - PHP

18CCSP - STAADPRO
18CCJ - CORE JAVA


Course Coordinator


Technical Training & Skill Development
Cell Coordinator


External Agency
Coordinator


Prof. Sandeep Gaikwad
Principal, TGPCET

KEC
KEC INTERNATIONAL LIMITED

CADD
CENTRE



UNITECH
ENGINEERING

Date: 22/09/2018



NAAC Accredited

ISO 9001:2015 Certified Institutions

TULSIRAMJI GAIKWAD-PATIL
College of Engg. & Technology, Nagpur

Wardha Road, Nagpur, India - 441 108

Approved by AICTE New Delhi / Govt. of Maharashtra & Affiliated to RTM Nagpur University



GAIKWAD-PATIL
GROUP OF INSTITUTIONS

Technical Training & Skill Development Cell

Session 2018-19

CETIFICATE

This is to Certify that **Ms. Anchula Sheshrao Punwatkar** of
Mechanical Engineering Department, Student of **5** Semester has
Successfully Completed Certification Course During **17/07/2018 to 20/09/2018**
Course Organized in association with **KEC**

18CCRED - CREO 2.0
18CCNA - CCNA
18CCML - MATLAB

18CCNC - CNC P&O
18CCORA - ORACLE SQL

18CCBMW - BMW
18CCN - C#.NET

18CAUTO - AUTOCAD
18CCPHP - PHP

18CCSP - STAADPRO
18CCJ - CORE JAVA

Course Coordinator

Technical Training & Skill Development
Cell Coordinator

External Agency
Coordinator

Prof. Sandeep Gaikwad
Principal, TGPCET

KEC
KEC INTERNATIONAL LIMITED

CADD
CENTRE
Driving Digital India



UNITECH
ENGINEERING
SOLUTIONS

Date: 22/09/2018



NAAC Accredited

ISO 9001:2015 Certified Institutions

TULSIRAMJI GAIKWAD-PATIL
College of Engg. & Technology, Nagpur

Wardha Road, Nagpur, India - 441 108

Approved by AICTE New Delhi / Govt. of Maharashtra & Affiliated to RTM Nagpur University



GAIKWAD-PATIL
GROUP OF INSTITUTIONS

Technical Training & Skill Development Cell Session 2018-19 CERTIFICATE

This is to Certify that **Ms. Anuradha Nawalkishor Singh** of
Mechanical Engineering Department, Student of **5** Semester has
Successfully Completed Certification Course During **17/07/2018 to 20/09/2018**
Course Organized in association with **KEC**

18CCCREO - CREO 2.0
18CCCNNA - CCNA
18CCML - MATLAB

18CCNC - CNC P&O
18CCORA - ORACLE SQL

18CCBMW - BMW
18CCN - C#.NET

18CCAUTO - AUTOCAD
18CCPHP - PHP

18CCSP - STAADPRO
18CCJ - CORE JAVA

Course Coordinator

Technical Training & Skill Development
Cell Coordinator

External Agency
Coordinator

Prof. Sandeep Gaikwad
Principal, TGPCET

KEC
KEC INTERNATIONAL LIMITED

CADD
CENTRE



UNITECH
ENGINEERING

Date: 22/09/2018



NAAC Accredited

ISO 9001:2015 Certified Institutions

TULSIRAMJI GAIKWAD-PATIL
College of Engg. & Technology, Nagpur

Wardha Road, Nagpur, India - 441 108

Approved by AICTE New Delhi / Govt. of Maharashtra & Affiliated to RTM Nagpur University



GAIKWAD-PATIL
GROUP OF INSTITUTIONS

Technical Training & Skill Development Cell

Session 2018-19

CETIFICATE

This is to Certify that **Mr. Abhijeet Ajit Das** of
Mechanical Engineering Department, Student of **5** Semester has
Successfully Completed Certification Course During **17/07/2018 to 20/09/2018**
Course Organized in association with **KEC**

18CCCREO - CREO 2.0
18CCCNNA - CCNA
18CCML - MATLAB

18CCNC - CNC P&D
18CCORA - ORACLE SQL

18CCBMW - BMW
18CCN - C#.NET

18CCAUTO - AUTOCAD
18CCPHP - PHP

18CCSP - STAADPRO
18CCJ - CORE JAVA

Course Coordinator

Technical Training & Skill Development
Cell Coordinator

External Agency
Coordinator

Prof. Sandeep Gaikwad
Principal, TGPCT

KEC
KEC INTERNATIONAL LIMITED

CADD
CENTRE
Creating Digital Designers



UNITECH
ENGINEERING

Date: 22/09/2018



NAAC Accredited

ISO 9001:2015 Certified Institutions

TULSIRAMJI GAIKWAD-PATIL
College of Engg. & Technology, Nagpur

Wardha Road, Nagpur, India - 441 108

Approved by AICTE New Delhi / Govt. of Maharashtra & Affiliated to RTM Nagpur University



GAIKWAD-PATIL
GROUP OF INSTITUTIONS

Technical Training & Skill Development Cell Session 2018-19 CERTIFICATE

This is to Certify that **Mr. Abhijeet Ramesh Pataliya** of
Mechanical Engineering Department, Student of **5** Semester has
Successfully Completed Certification Course During **17/07/2018 to 20/09/2018**
Course Organized in association with **KEC**

18CCCREO - CREO 2.0
18CCCCNA - CCNA
18CCML - MATLAB

18CCNC - CNC P&O
18CCORA - ORACLE SQL

18CCBMW - BMW
18CCCN - C#.NET

18CCAUTO - AUTOCAD
18CCPHP - PHP

18CCSP - STAADPRO
18CCJ - CORE JAVA

Course Coordinator

Technical Training & Skill Development
Cell Coordinator

External Agency
Coordinator

Prof. Sandeep Gaikwad
Principal, TGPET

KEC
KEC INTERNATIONAL LIMITED

CADD
CENTRE
Brand Digital Leader



UNITECH
ENGINEERING
SOLUTIONS

Date: 22/09/2018



NAAC Accredited

ISO 9001:2015 Certified Institutions

TULSIRAMJI GAIKWAD-PATIL
College of Engg. & Technology, Nagpur

Wardha Road, Nagpur, India - 441 108

Approved by AICTE, New Delhi / Govt. of Maharashtra & Affiliated to RTM Nagpur University



GAIKWAD-PATIL
GROUP OF INSTITUTIONS

Technical Training & Skill Development Cell
Session 2017-18
Certificate

This is to Certify that **Mr. Nilesh Vijay Pawar** of
Mechanical Engineering Department, Student of **6** Semester has
Successfully Completed Certification Course During **16/01/2018 to 20/03/2018**
Course Organized in association with **KEC**

17 CCCNC - CNC P&O	<input type="checkbox"/>	17 CCAUTO - AUTOCAD	<input checked="" type="checkbox"/>	17 CCSP - STAADPRO	<input type="checkbox"/>
17 CCCNA - CCNA	<input type="checkbox"/>	17 CCORA - ORACLE SQL	<input type="checkbox"/>	17 CCCN - C#.NET	<input type="checkbox"/>
17 CCML - MATLAB	<input type="checkbox"/>	17 CCPHP - PHP	<input type="checkbox"/>	17 CCCJ - CORE JAVA	<input type="checkbox"/>

Course Coordinator

Technical Training & Skill Development
Cell Coordinator

External Agency
Coordinator

Dr. G. K. Awari
Principal

KEC
KEC INTERNATIONAL LIMITED

CADD
CENTRE



UNITECH
ENGINEERING

Date: 23/03/2018



NAAC Accredited

ISO 9001:2015 Certified Institutions

TULSIRAMJI GAIKWAD-PATIL
College of Engg. & Technology, Nagpur



GAIKWAD-PATIL
GROUP OF INSTITUTIONS

Wardha Road, Nagpur, India - 441 108

Approved by AICTE New Delhi / Govt. of Maharashtra & Affiliated to RTM Nagpur University

Technical Training & Skill Development Cell
Session 2017-18
Certificate

This is to Certify that **Mr. Prajwal Wasudeo Rewatkar** of
Mechanical Engineering Department, Student of 6 Semester has
Successfully Completed Certification Course During 16/01/2018 to 20/03/2018
Course Organized in association with KEC

17-CCNC - CNC P&O	<input type="checkbox"/>	17-CAUTO - AUTOCAD	<input checked="" type="checkbox"/>	17-CCSP - STAADPRO	<input type="checkbox"/>
17-CCENA - CCNA	<input type="checkbox"/>	17-CCORA - ORACLE SQL	<input type="checkbox"/>	17-CCCN - C#.NET	<input type="checkbox"/>
17-CCNL - MATLAB	<input type="checkbox"/>	17-CCPHP - PHP	<input type="checkbox"/>	17-CCCJ - CORE JAVA	<input type="checkbox"/>

Course Coordinator

Technical Training & Skill Development
Cell Coordinator

External Agency
Coordinator

Dr. G. K. Awari
Principal,

KEC
KEC INTERNATIONAL LIMITED

CADD
CENTRE



UNITECH
ENGINEERING

Date: 23/03/2018



NAAC Accredited

ISO 9001:2015 Certified Institutions

TULSIRAMJI GAIKWAD-PATIL
College of Engg. & Technology, Nagpur

Wardha Road, Nagpur, India - 441 108

Approved by AICTE New Delhi / Govt. of Maharashtra & Affiliated to RTM Nagpur University



GAIKWAD-PATIL
GROUP OF INSTITUTIONS

Technical Training & Skill Development Cell Session 2017-18 Certificate

This is to Certify that **Mr. Pranitkumar Ashok Pathade** of
Mechanical Engineering Department, Student of 6 Semester has
Successfully Completed Certification Course During 16/01/2018 to 20/03/2018
Course Organized in association with KEC

17 CCCNC - CNC P&O	<input type="checkbox"/>	17 CCAUTO - AUTOCAD	<input checked="" type="checkbox"/>	17 CCSP - STAADPRO	<input type="checkbox"/>
17 CCCNA - CCNA	<input type="checkbox"/>	17 CCORA - ORACLE SQL	<input type="checkbox"/>	17 CCCN - C#.NET	<input type="checkbox"/>
17 CCML - MATLAB	<input type="checkbox"/>	17CCPHP - PHP	<input type="checkbox"/>	17CCCJ - CORE JAVA	<input type="checkbox"/>

Course Coordinator

Technical Training & Skill Development
Cell Coordinator

External Agency
Coordinator

Dr. G. K. Awari
Principal,

KEC
KEC INTERNATIONAL LIMITED

CADD
CENTRE



UNITECH
ENGINEERING

Date: 23/03/2018



NAAC Accredited

ISO 9001:2015 Certified Institutions

TULSIRAMJI GAIKWAD-PATIL
College of Engg. & Technology, Nagpur



GAIKWAD-PATIL
GROUP OF INSTITUTIONS

Wardha Road, Nagpur, India - 441 108

Approved by AICTE New Delhi / Govt. of Maharashtra & Affiliated to RTM Nagpur University

Technical Training & Skill Development Cell Session 2017-18 Certificate

This is to Certify that **Mr. Premkumar Yogeshwar Patle** of
Mechanical Engineering Department, Student of **6** Semester has
Successfully Completed Certification Course During **16/01/2018** to **20/03/2018**
Course Organized in association with **KEC**

17 CCCNC - CNC P&O

17 CCAUTO - AUTOCAD

17 CCSP - STAADPRO

17 CCCNA - CCNA

17 CCORA - ORACLE SQL

17 CCCN - C#.NET

17 CCML - MATLAB

17 CCPHP - PHP

17 CCCJ - CORE JAVA

Course Coordinator

Technical Training & Skill Development
Cell Coordinator

External Agency
Coordinator

Dr. G. K. Awari
Principal,

KEC

KEC INTERNATIONAL LIMITED

**CADD
CENTRE**



Date: 23/03/2018



NAAC Accredited

ISO 9001:2015 Certified Institutions

TULSIRAMJI GAIKWAD-PATIL
College of Engg. & Technology, Nagpur

Wardha Road, Nagpur, India - 441 108

Approved by AICTE New Delhi / Govt. of Maharashtra & Affiliated to RTM Nagpur University



GAIKWAD-PATIL
GROUP OF INSTITUTIONS

Technical Training & Skill Development Cell Session 2017-18 Certificate

This is to Certify that **Mr. Rohit Nilkanth Satpute** of
Mechanical Engineering Department, Student of **6** Semester has
Successfully Completed Certification Course During **16/01/2018 to 20/03/2018**
Course Organized in association with **KEC**

17-CCNC - CNC P&O	<input type="checkbox"/>	17 CCAUTO - AUTOCAD	<input checked="" type="checkbox"/>	17 CCSP - STAADPRO	<input type="checkbox"/>
17 CCCCNA - CCNA	<input type="checkbox"/>	17 CCORA - ORACLE SQL	<input type="checkbox"/>	17 CCCN - C#.NET	<input type="checkbox"/>
17 CCML - MATLAB	<input type="checkbox"/>	17 CCPHP - PHP	<input type="checkbox"/>	17 CCCJ - CORE JAVA	<input type="checkbox"/>

Course Coordinator

Technical Training & Skill Development
Cell Coordinator

External Agency
Coordinator

Dr. G. K. Awari
Principal,

KEC

KEC INTERNATIONAL LIMITED

**CADD
CENTRE**



**UNITECH
ENGINEERING**

Date: 23/03/2018



NAAC Accredited

ISO 9001:2015 Certified Institutions

TULSIRAMJI GAIKWAD-PATIL
College of Engg. & Technology, Nagpur

Wardha Road, Nagpur, India - 441 108

Approved by AICTE New Delhi / Govt. of Maharashtra & Affiliated to RTM Nagpur University



GAIKWAD-PATIL
GROUP OF INSTITUTIONS

Technical Training & Skill Development Cell Session 2017-18 Certificate

This is to Certify that **Mr. Sandesh Suresh Tembhurkar** of
Mechanical Engineering Department, Student of **6** Semester has
Successfully Completed Certification Course During **16/01/2018 to 20/03/2018**
Course Organized in association with **KEC**

17 CCCNC - CNC P&O <input type="checkbox"/>	17 CCAUTO - AUTOCAD <input checked="" type="checkbox"/>	17 CCSP - STAADPRO <input type="checkbox"/>
17 CCCNA - CCNA <input type="checkbox"/>	17 CCORA - ORACLE SQL <input type="checkbox"/>	17 CCCN - C#.NET <input type="checkbox"/>
17 CCML - MATLAB <input type="checkbox"/>	17 CCPHP - PHP <input type="checkbox"/>	17 CCCJ - CORE JAVA <input type="checkbox"/>

Course Coordinator

Technical Training & Skill Development
Cell Coordinator

External Agency
Coordinator

Dr. G. K. Awari
Principal,

KEC

KEC INTERNATIONAL LIMITED

**CADD
CENTRE**



**UNITECH
ENGINEERING**

Date: 23/03/2018



NAAC Accredited

ISO 9001:2015 Certified Institutions

TULSIRAMJI GAIKWAD-PATIL
College of Engg. & Technology, Nagpur



GAIKWAD-PATIL
GROUP OF INSTITUTIONS

Wardha Road, Nagpur, India - 441 108

Approved by AICTE New Delhi / Govt. of Maharashtra & Affiliated to RTM Nagpur University

Technical Training & Skill Development Cell Session 2017-18 Certificate

This is to Certify that **Mr. Satish Shyamraj Kathoute** of
Mechanical Engineering Department, Student of **6** Semester has
Successfully Completed Certification Course During **16/01/2018 to 20/03/2018**
Course Organized in association with **KEC**

17 CCNC - CNC P&O	<input type="checkbox"/>	17 CCAUTO - AUTOCAD	<input checked="" type="checkbox"/>	17 CCSP - STAADPRO	<input type="checkbox"/>
17 CCCNA - CCNA	<input type="checkbox"/>	17 CCORA - ORACLE SQL	<input type="checkbox"/>	17 CCCN - C#.NET	<input type="checkbox"/>
17 CCML - MATLAB	<input type="checkbox"/>	17 CCPHP - PHP	<input type="checkbox"/>	17 CCCJ - CORE JAVA	<input type="checkbox"/>

Course Coordinator

Technical Training & Skill Development
Cell Coordinator

External Agency
Coordinator

Dr. G. K. Awari
Principal,

KEC
KEC INTERNATIONAL LIMITED

CADD
CENTRE



UNITECH
ENGINEERING

Date: 23/03/2018



NAAC Accredited

ISO 9001:2015 Certified Institutions

TULSIRAMJI GAIKWAD-PATIL
College of Engg. & Technology, Nagpur



GAIKWAD-PATIL
GROUP OF INSTITUTIONS

Wardha Road, Nagpur, India - 441 108

Approved by AICTE New Delhi / Govt. of Maharashtra & Affiliated to RTM Nagpur University

Technical Training & Skill Development Cell Session 2017-18 Certificate

This is to Certify that **Mr. Saurabh Sanjay Sangewar** of
Mechanical Engineering Department, Student of 6 Semester has
Successfully Completed Certification Course During 16/01/2018 to 20/03/2018
Course Organized in association with KEC

17 CCCNC - CNC P&O	<input type="checkbox"/>	17 CCAUTO - AUTOCAD	<input checked="" type="checkbox"/>	17 CCSP - STAADPRO	<input type="checkbox"/>
17 CCCNA - CCNA	<input type="checkbox"/>	17 CCORA - ORACLE SQL	<input type="checkbox"/>	17 CCCN - C#.NET	<input type="checkbox"/>
17 CCML - MATLAB	<input type="checkbox"/>	17 CCPHP - PHP	<input type="checkbox"/>	17 CCCJ - CORE JAVA	<input type="checkbox"/>

Course Coordinator

Technical Training & Skill Development
Cell Coordinator

External Agency
Coordinator

Dr. G. K. Awari
Principal,

KEC
KEC INTERNATIONAL LIMITED

CADD
CENTRE



Date: 23/03/2018



NAAC Accredited

ISO 9001:2015 Certified Institutions

TULSIRAMJI GAIKWAD-PATIL
College of Engg. & Technology, Nagpur

Wardha Road, Nagpur, India - 441 108

Approved by AICTE New Delhi / Govt. of Maharashtra & Affiliated to RTM Nagpur University



GAIKWAD-PATIL
GROUP OF INSTITUTIONS

Technical Training & Skill Development Cell Session 2017-18 Certificate

This is to Certify that **Mr. Shankar Dnyaneshwar Ghule** of
Mechanical Engineering Department, Student of 6 Semester has
Successfully Completed Certification Course During 16/01/2018 to 20/03/2018
Course Organized in association with KEC

17 CCCNC - CNC P&O

17 CCCNA - CCNA

17 CCML - MATLAB

17 CCAUTO - AUTOCAD

17 CCORA - ORACLE SQL

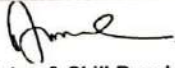
17 CCPHP - PHP

17 CCSP - STAADPRO

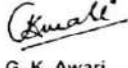
17 CCCN - C#.NET

17 CCCJ - CORE JAVA


Course Coordinator


Technical Training & Skill Development
Cell Coordinator


External Agency
Coordinator


Dr. G. K. Awari
Principal,

KEC
KEC INTERNATIONAL LIMITED

CADD
CENTRE



UNITECH
ENGINEERING

Date: 23/03/2018



NAAC Accredited

ISO 9001:2015 Certified Institutions

TULSIRAMJI GAIKWAD-PATIL
College of Engg. & Technology, Nagpur



GAIKWAD-PATIL
GROUP OF INSTITUTIONS

Wardha Road, Nagpur, India - 441 108

Approved by AICTE New Delhi / Govt. of Maharashtra & Affiliated to RTM Nagpur University

Technical Training & Skill Development Cell Session 2017-18 Certificate

This is to Certify that **Mr. Shrikant Gajanan Pundkar** of
Mechanical Engineering Department, Student of 6 Semester has
Successfully Completed Certification Course During 16/01/2018 to 20/03/2018
Course Organized in association with KEC

17 CCCNC - CNC P&O	<input type="checkbox"/>	17 CCAUTO - AUTOCAD	<input checked="" type="checkbox"/>	17 CCSP - STAADPRO	<input type="checkbox"/>
17 CCCNA - CCNA	<input type="checkbox"/>	17 CCORA - ORACLE SQL	<input type="checkbox"/>	17 CCCN - C#.NET	<input type="checkbox"/>
17 CCML - MATLAB	<input type="checkbox"/>	17 CCPHP - PHP	<input type="checkbox"/>	17 CCCJ - CORE JAVA	<input type="checkbox"/>

Course Coordinator

Technical Training & Skill Development
Cell Coordinator

External Agency
Coordinator

Dr. G. K. Awari
Principal,

KEC
KEC INTERNATIONAL LIMITED

CADD
CENTRE



UNITECH
ENGINEERING

Date: 23/03/2018



NAAC Accredited

ISO 9001:2015 Certified Institutions

TULSIRAMJI GAIKWAD-PATIL
College of Engg. & Technology, Nagpur



GAIKWAD-PATIL
GROUP OF INSTITUTIONS

Wardha Road, Nagpur, India - 441 108

Approved by AICTE New Delhi / Govt. of Maharashtra & Affiliated to RTM Nagpur University

Technical Training & Skill Development Cell
Session 2017-18
Certificate

This is to Certify that **Mr. Abhijit Vijay Shinde** of
Mechanical Engineering Department, Student of **5** Semester has
Successfully Completed Certification Course During **11/07/2017 to 20/09/2017**
Course Organized in association with **KEC**

17 CCCNC - CNC P&O	<input type="checkbox"/>	17 CCAUTO - AUTOCAD	<input checked="" type="checkbox"/>	17 CCSP - STAADPRO	<input type="checkbox"/>
17 CCCNA - CCNA	<input type="checkbox"/>	17 CCORA - ORACLE SQL	<input type="checkbox"/>	17 CCCN - C#.NET	<input type="checkbox"/>
17 CCML - MATLAB	<input type="checkbox"/>	17 CCPHP - PHP	<input type="checkbox"/>	17 CCCJ - CORE JAVA	<input type="checkbox"/>

Course Coordinator

Technical Training & Skill Development
Cell Coordinator

External Agency
Coordinator

Dr. G. K. Awari
Principal,

KEC
KEC INTERNATIONAL LIMITED

CADD
CENTRE



UNITECH
ENGINEERING

Date: 23/09/2017



NAAC Accredited

ISO 9001:2015 Certified Institutions

TULSIRAMJI GAIKWAD-PATIL
College of Engg. & Technology, Nagpur



GAIKWAD-PATIL
GROUP OF INSTITUTIONS

Wardha Road, Nagpur, India - 441 108

Approved by AICTE New Delhi / Govt. of Maharashtra & Affiliated to RTM Nagpur University

Technical Training & Skill Development Cell
Session 2017-18
Certificate

This is to Certify that **Mr. Ajay Balkrushna Lingme** of
Mechanical Engineering Department, Student of **5** Semester has
Successfully Completed Certification Course During **11/07/2017 to 20/09/2017**
Course Organized in association with **KEC**

17 CCCNC - CNC P&O	<input type="checkbox"/>	17 CCAUTO - AUTOCAD	<input checked="" type="checkbox"/>	17 CCSP - STAADPRO	<input type="checkbox"/>
17 CCCNA - CCNA	<input type="checkbox"/>	17 CCORA - ORACLE SQL	<input type="checkbox"/>	17 CCCN - C#.NET	<input type="checkbox"/>
17 CCML - MATLAB	<input type="checkbox"/>	17 CCPHP - PHP	<input type="checkbox"/>	17 CCCJ - CORE JAVA	<input type="checkbox"/>

Course Coordinator

Technical Training & Skill Development
Cell Coordinator

External Agency
Coordinator

Dr. G. K. Awari
Principal,

KEC
KEC INTERNATIONAL LIMITED

CADD
CENTRE
Bringing Digital Revolution



UNITECH
ENGINEERING
SOLUTIONS

Date: 23/09/2017



NAAC Accredited

TULSIRAMJI GAIKWAD-PATIL
College of Engineering & Technology

ISO 9000:2008 Certificate Institute

Mohgaon, Wardha Road, Nagpur - 441 108

Technical Training & Skill Development Cell

Session 2016-17

Certificate

This is to Certify that **Mr. Pranay Kiran Dasarwar** of
Mechanical Engineering Department, Student of **6** Semester has
Successfully Completed Certification Course During **10/01/2017 to 22/03/2017**
Course Organized in association with **KEC**

- | | |
|--|---|
| <input type="checkbox"/> 16 CCC-C Prog. | <input type="checkbox"/> 16CCML-MATLAB |
| <input checked="" type="checkbox"/> 16CCAUTO-AUTOCAD | <input type="checkbox"/> 16 CCORA-ORACLESQL |
| <input type="checkbox"/> 16CCSP-STAADPRO | <input type="checkbox"/> 16CCPHP-PHP |
| <input type="checkbox"/> 16CCCCNA-CCNA | <input type="checkbox"/> 16CCCN-C#.NET |
| <input type="checkbox"/> 16CCCJ-COREJAVA | |

Course Coordinator

Technical Training & Skill Development
Cell Coordinator

External Agency
Coordinator

Dr. G. K. Awari
Principal

CADD
CENTRE
Making Digital Realities



Date: 24/03/2017



NAAC Accredited

TULSIRAMJI GAIKWAD-PATIL
College of Engineering & Technology

ISO 9000:2008 Certificate Institute

Mohgaon, Wardha Road, Nagpur - 441 108

Technical Training & Skill Development Cell

Session 2016-17

Certificate

This is to Certify that Mr. Rahul Arun Shembekar of
Mechanical Engineering Department, Student of 6 Semester has
Successfully Completed Certification Course During 10/01/2017 to 22/03/2017
Course Organized in association with KEC

- | | |
|--|--|
| <input type="checkbox"/> 16 CCC-C Prog. | <input type="checkbox"/> 16CCML-MATLAB |
| <input checked="" type="checkbox"/> 16CCAUTO-AUTOCAD | <input type="checkbox"/> 16CCORA-ORACLESQL |
| <input type="checkbox"/> 16CCSP-STAADPRO | <input type="checkbox"/> 16CCPHP-PHP |
| <input type="checkbox"/> 16CCCCNA-CCNA | <input type="checkbox"/> 16CCCN-C#.NET |
| <input type="checkbox"/> 16CCCJ-COREJAVA | |

Course Coordinator

Technical Training & Skill Development
Cell Coordinator

External Agency
Coordinator

Dr. G. K. Awari
Principal

**CADD
CENTRE**
Building Digital India



Date: 24/03/2017



NAAC Accredited

TULSIRAMJI GAIKWAD-PATIL
College of Engineering & Technology

ISO 9000:2008 Certificate Institute

Mohgaon, Wardha Road, Nagpur - 441 108

Technical Training & Skill Development Cell

Session 2016-17

Certificate

This is to Certify that **Mr. Roshan Santosh Morghade** of
Mechanical Engineering Department, Student of **6** Semester has
Successfully Completed Certification Course During **10/01/2017 to 22/03/2017**
Course Organized in association with **KEC**

- | | |
|---|---|
| <input type="checkbox"/> 16 CCC-C Prog. | <input type="checkbox"/> 16 CCML-MATLAB |
| <input checked="" type="checkbox"/> 16 CCAUTO-AUTOCAD | <input type="checkbox"/> 16 CCORA-ORACLESQL |
| <input type="checkbox"/> 16 CCSP-STAADPRO | <input type="checkbox"/> 16 CCPHP-PHP |
| <input type="checkbox"/> 16 CCCNA-CCNA | <input type="checkbox"/> 16 CCCN-C#.NET |
| <input type="checkbox"/> 16 CCCJ-COREJAVA | |

Course Coordinator

Technical Training & Skill Development
Cell Coordinator

External Agency
Coordinator

Dr. G. K. Awari
Principal

CADD
CENTRE
Pushing Beyond Your Goals



Date: 24/03/2017



NAAC Accredited

TULSIRAMJI GAIKWAD-PATIL
College of Engineering & Technology

ISO 9000:2008 Certificate Institute

Mohgaon, Wardha Road, Nagpur - 441 108

Technical Training & Skill Development Cell

Session 2016-17

Certificate

This is to Certify that **Mr. Sachin Prakash Anjankar** of
Mechanical Engineering Department, Student of **6** Semester has
Successfully Completed Certification Course During **10/01/2017 to 22/03/2017**
Course Organized in association with **KEC**

- | | |
|--|--|
| <input type="checkbox"/> 16 CCC-C Prog. | <input type="checkbox"/> 16CCML-MATLAB |
| <input checked="" type="checkbox"/> 16CCAUTO-AUTOCAD | <input type="checkbox"/> 16CCORA-ORACLESQL |
| <input type="checkbox"/> 16CCSP-STAADPRO | <input type="checkbox"/> 16CCPHP-PHP |
| <input type="checkbox"/> 16CCCCNA-CCNA | <input type="checkbox"/> 16CCCN-C#.NET |
| <input type="checkbox"/> 16CCCJ-COREJAVA | |

Course Coordinator

Technical Training & Skill Development
Cell Coordinator

External Agency
Coordinator

Dr. G. K. Awari
Principal

**CADD
CENTRE**
Producing Digital Professionals



Date: 24/03/2017



NAAC Accredited

TULSIRAMJI GAIKWAD-PATIL
College of Engineering & Technology

ISO 9000:2008 Certificate Institute

Mohgaon, Wardha Road, Nagpur - 441 108

Technical Training & Skill Development Cell

Session 2016-17

Certificate

This is to Certify that **Mr. Satish Sadwali Gannarapu** of
Mechanical Engineering Department, Student of **6** Semester has
Successfully Completed Certification Course During **10/01/2017 to 22/03/2017**
Course Organized in association with **KEC**

- | | |
|---|---|
| <input type="checkbox"/> 16 CCC-C Prog. | <input type="checkbox"/> 16 CCML-MATLAB |
| <input checked="" type="checkbox"/> 16 CCAUTO-AUTOCAD | <input type="checkbox"/> 16 CCORA-ORACLESQL |
| <input type="checkbox"/> 16 CCSP-STAADPRO | <input type="checkbox"/> 16 CCPHP-PHP |
| <input type="checkbox"/> 16 CCCNA-CCNA | <input type="checkbox"/> 16 CCCN-C#.NET |
| <input type="checkbox"/> 16 CCCJ-COREJAVA | |

Course Coordinator

Technical Training & Skill Development
Cell Coordinator

External Agency
Coordinator

Dr. G. K. Awari
Principal

CADD
CENTRE
Building Digital India



Date: 24/03/2017



NAAC Accredited

TULSIRAMJI GAIKWAD-PATIL
College of Engineering & Technology

ISO 9000:2008 Certificate Institute

Mohgaon, Wardha Road, Nagpur - 441 108

Technical Training & Skill Development Cell

Session 2016-17

Certificate

This is to Certify that **Mr. Saurabh Sanjay Sangewar** of
Mechanical Engineering Department, Student of **6** Semester has
Successfully Completed Certification Course During **10/01/2017 to 22/03/2017**
Course Organized in association with, **KEC**

- | | |
|---|---|
| <input type="checkbox"/> 16 CCC-C Prog. | <input type="checkbox"/> 16 CCML-MATLAB |
| <input checked="" type="checkbox"/> 16 CCAUTO-AUTOCAD | <input type="checkbox"/> 16 CCORA-ORACLESQL |
| <input type="checkbox"/> 16 CCSP-STAADPRO | <input type="checkbox"/> 16 CCPHP-PHP |
| <input type="checkbox"/> 16 CCCNA-CCNA | <input type="checkbox"/> 16 CCCN-C#.NET |
| <input type="checkbox"/> 16 CCCJ-COREJAVA | |

Course Coordinator

Technical Training & Skill Development
Cell Coordinator

External Agency
Coordinator

Dr. G. K. Awari
Principal

CADD
CENTRE
Public Digital Resource



Date: 24/03/2017



TULSIRAMJI GAIKWAD-PATIL
College of Engineering & Technology

ISO 9000:2008 Certificate Institute

Mohgaon, Wardha Road, Nagpur - 441 108

Technical Training & Skill Development Cell

Session 2016-17

Certificate

This is to Certify that **Mr. Adarsh Rathore** of
Mechanical Engineering Department, Student of **5** Semester has
Successfully Completed Certification Course During **04/07/2016 to 21/09/2016**
Course Organized in association with **KEC**.

- | | |
|--|--|
| <input type="checkbox"/> 16CCC-C Prog. | <input type="checkbox"/> 16CCML-MATLAB |
| <input checked="" type="checkbox"/> 16CCAUTO-AUTOCAD | <input type="checkbox"/> 16CCORA-ORACLESQL |
| <input type="checkbox"/> 16CCSP-STAADPRO | <input type="checkbox"/> 16CCPHP-PHP |
| <input type="checkbox"/> 16CCCCNA-CCNA | <input type="checkbox"/> 16CCCN-C#.NET |
| <input type="checkbox"/> 16CCCJ-COREJAVA | |


Course Coordinator


Technical Training & Skill Development
Cell Coordinator


External Agency
Coordinator


Dr. G. K. Awari
Principal

**CADD
CENTRE**
Pimpri Chinchwad
Pune



Date: 23/09/2016



TULSIRAMJI GAIKWAD-PATIL
College of Engineering & Technology

ISO 9000:2008 Certificate Institute

Mohgaon, Wardha Road, Nagpur - 441 108

Technical Training & Skill Development Cell

Session 2016-17

Certificate

This is to Certify that **Mr. Akshay Gajanan Nannaware** of
Mechanical Engineering Department, Student of **5** Semester has
Successfully Completed Certification Course During **04/07/2016 to 21/09/2016**
Course Organized in association with **KEC**.

- | | |
|--|--|
| <input type="checkbox"/> 16 CCC-C Prog. | <input type="checkbox"/> 16CCML-MATLAB |
| <input checked="" type="checkbox"/> 16CCAUTO-AUTOCAD | <input type="checkbox"/> 16CCORA-ORACLESQL |
| <input type="checkbox"/> 16CCSP-STAADPRO | <input type="checkbox"/> 16CCPHP-PHP |
| <input type="checkbox"/> 16CCCCNA-CCNA | <input type="checkbox"/> 16CCCN-C#.NET |
| <input type="checkbox"/> 16CCCJ-COREJAVA | |

Course Coordinator

Technical Training & Skill Development
Cell Coordinator

External Agency
Coordinator

Dr. G. K. Awari
Principal

CADD
CENTRE
P.L. No. 10, Nagpur



Date: 23/09/2016



TULSIRAMJI GAIKWAD-PATIL
College of Engineering & Technology

ISO 9000:2008 Certificate Institute

Mohgaon, Wardha Road, Nagpur - 441 108

Technical Training & Skill Development Cell

Session 2016-17

Certificate

This is to Certify that **Mr. Akshay Ravikant Tiwari** of
Mechanical Engineering Department, Student of **5** Semester has
Successfully Completed Certification Course During **04/07/2016 to 21/09/2016**
Course Organized in association with **KFC**.

- | | |
|---|---|
| <input type="checkbox"/> 16 CCC-C Prog. | <input type="checkbox"/> 16 CCML-MATLAB |
| <input checked="" type="checkbox"/> 16 CCAUTO-AUTOCAD | <input type="checkbox"/> 16 CCORA-ORACLESQL |
| <input type="checkbox"/> 16 CCSP-STAADPRO | <input type="checkbox"/> 16 CCPHP-PHP |
| <input type="checkbox"/> 16 CCCCNA-CCNA | <input type="checkbox"/> 16 CCCN-C#.NET |
| <input type="checkbox"/> 16 CCCJ-COREJAVA | |


Course Coordinator


Technical Training & Skill Development
Cell Coordinator


External Agency
Coordinator


Dr. G. K. Awari
Principal

CADD
CENTRE
Making Digital Design Great



Date: 23/09/2016



TULSIRAMJI GAIKWAD-PATIL
College of Engineering & Technology

ISO 9000:2008 Certificate Institute

Mohgaon, Wardha Road, Nagpur - 441 108

Technical Training & Skill Development Cell

Session 2016-17

Certificate

This is to Certify that **Mr. Anup Ashok Zamre** of
Mechanical Engineering Department, Student of **5** Semester has
Successfully Completed Certification Course During **04/07/2016 to 21/09/2016**
Course Organized in association with **KEC**.

- | | |
|---|---|
| <input type="checkbox"/> 16 CCC-C Prog. | <input type="checkbox"/> 16 CCML-MATLAB |
| <input checked="" type="checkbox"/> 16 CCAUTO-AUTOCAD | <input type="checkbox"/> 16 CCORA-ORACLESQL |
| <input type="checkbox"/> 16 CCSP-STAADPRO | <input type="checkbox"/> 16 CCPHP-PHP |
| <input type="checkbox"/> 16 CCCCNA-CCNA | <input type="checkbox"/> 16 CCCN-C#.NET |
| <input type="checkbox"/> 16 CCCJ-COREJAVA | |

Course Coordinator

Technical Training & Skill Development
Cell Coordinator

External Agency
Coordinator

Dr. G. K. Awari
Principal

CADD
CENTRE
Building Digital Nagpur



Date: 23/09/2016



TULSIRAMJI GAIKWAD-PATIL
College of Engineering & Technology

ISO 9000:2008 Certificate Institute

Mohgaon, Wardha Road, Nagpur - 441 108

Technical Training & Skill Development Cell

Session 2016-17

Certificate

This is to Certify that **Mr. Balkrushna Pramod Khandre** of
Mechanical Engineering Department, Student of **5** Semester has
Successfully Completed Certification Course During **04/07/2016 to 21/09/2016**
Course Organized in association with **KFC**.

- | | |
|--|--|
| <input type="checkbox"/> 16CCC-C Prog. | <input type="checkbox"/> 16CCML-MATLAB |
| <input checked="" type="checkbox"/> 16CCAUTO-AUTOCAD | <input type="checkbox"/> 16CCORA-ORACLESQL |
| <input type="checkbox"/> 16CCSP-STAADPRO | <input type="checkbox"/> 16CCPHP-PHP |
| <input type="checkbox"/> 16CCCCNA-CCNA | <input type="checkbox"/> 16CCCN-C#.NET |
| <input type="checkbox"/> 16CCCJ-COREJAVA | |

Course Coordinator

Technical Training & Skill Development
Cell Coordinator

External Agency
Coordinator

Dr. G. K. Awari
Principal

CADD
CENTRE
Building Digital India



Date: 23/09/2016



TULSIRAMJI GAIKWAD-PATIL
College of Engineering & Technology

ISO 9000:2008 Certificate Institute

Mohgaon, Wardha Road, Nagpur - 441 108

Technical Training & Skill Development Cell

Session 2016-17

Certificate


This is to Certify that **Mr. Gopal Narayan Ghadbale** of
Mechanical Engineering Department, Student of **5** Semester has
Successfully Completed Certification Course During **04/07/2016 to 21/09/2016**
Course Organized in association with **KFC**.

- | | |
|---|---|
| <input type="checkbox"/> 16 CCC-C Prog. | <input type="checkbox"/> 16 CCML-MATLAB |
| <input checked="" type="checkbox"/> 16 CCAUTO-AUTOCAD | <input type="checkbox"/> 16 CCORA-ORACLESQL |
| <input type="checkbox"/> 16 CCSP-STAADPRO | <input type="checkbox"/> 16 CCPHP-PHP |
| <input type="checkbox"/> 16 CCCCNA-CCNA | <input type="checkbox"/> 16 CCCN-C#.NET |
| <input type="checkbox"/> 16 CCCJ-COREJAVA | |


Course Coordinator


Technical Training & Skill Development
Cell Coordinator


External Agency
Coordinator


Dr. G. K. Awari
Principal

CADD
CENTRE
Building Digital India



Date: 23/09/2016



TULSIRAMJI GAIKWAD-PATIL
College of Engineering & Technology

ISO 9000:2008 Certificate Institute

Mohgaon, Wardha Road, Nagpur - 441 108

Technical Training & Skill Development Cell

Session 2016-17

Certificate

This is to Certify that **Mr. Kamlesh Pandit Kurhade** of
Mechanical Engineering Department, Student of **5** Semester has
Successfully Completed Certification Course During **04/07/2016 to 21/09/2016**
Course Organized in association with **KFC**.

- | | |
|--|--|
| <input type="checkbox"/> 16CCC-C Prog. | <input type="checkbox"/> 16CCML-MATLAB |
| <input checked="" type="checkbox"/> 16CCAUTO-AUTOCAD | <input type="checkbox"/> 16CCORA-ORACLESQL |
| <input type="checkbox"/> 16CCSP-STAADPRO | <input type="checkbox"/> 16CCPHP-PHP |
| <input type="checkbox"/> 16CCCCNA-CCNA | <input type="checkbox"/> 16CCCN-C#.NET |
| <input type="checkbox"/> 16CCCJ-COREJAVA | |

Course Coordinator

Technical Training & Skill Development
Cell Coordinator

External Agency
Coordinator

Dr. G. K. Awari
Principal

**CADD
CENTRE**
Professional Training & Development



Date: 23/09/2016



TULSIRAMJI GAIKWAD-PATIL
College of Engineering & Technology

ISO 9000:2008 Certificate Institute

Mohgaon, Wardha Road, Nagpur - 441 108

Technical Training & Skill Development Cell

Session 2016-17

Certificate

This is to Certify that **Mr. Mahendra Rupchand Thakre** of
Mechanical Engineering Department, Student of **5** Semester has
Successfully Completed Certification Course During **04/07/2016 to 21/09/2016**
Course Organized in association with **KEC**.

- | | |
|---|---|
| <input type="checkbox"/> 16 CCC-C Prog. | <input type="checkbox"/> 16 CCML-MATLAB |
| <input checked="" type="checkbox"/> 16 CCAUTO-AUTOCAD | <input type="checkbox"/> 16 CCORA-ORACLESQL |
| <input type="checkbox"/> 16 CCSP-STAADPRO | <input type="checkbox"/> 16 CCPHP-PHP |
| <input type="checkbox"/> 16 CCCCNA-CCNA | <input type="checkbox"/> 16 CCCN-C#.NET |
| <input type="checkbox"/> 16 CCCJ-COREJAVA | |

Course Coordinator

Technical Training & Skill Development
Cell Coordinator

External Agency
Coordinator

Dr. G. K. Awari
Principal

CADD
CENTRE
Building Digital India



Date: 23/09/2016



TULSIRAMJI GAIKWAD-PATIL
College of Engineering & Technology

ISO 9000:2008 Certificate Institute

Mohgaon, Wardha Road, Nagpur - 441 108

Technical Training & Skill Development Cell

Session 2016-17

Certificate

This is to Certify that **Mr. Omprakash Ishwar Handekar** of
Mechanical Engineering Department, Student of **5** Semester has
Successfully Completed Certification Course During **04/07/2016 to 21/09/2016**
Course Organized in association with **KFC**.

- | | |
|---|---|
| <input type="checkbox"/> 16 CCC-C Prog. | <input type="checkbox"/> 16 CCML-MATLAB |
| <input checked="" type="checkbox"/> 16 CCAUTO-AUTOCAD | <input type="checkbox"/> 16 CCORA-ORACLESQL |
| <input type="checkbox"/> 16 CCSP-STAADPRO | <input type="checkbox"/> 16 CC PHP-PHP |
| <input type="checkbox"/> 16 CCCNA-CCNA | <input type="checkbox"/> 16 CCCN-C#.NET |
| <input type="checkbox"/> 16 CCCJ-COREJAVA | |

Course Coordinator

Technical Training & Skill Development
Cell Coordinator

External Agency
Coordinator

Dr. G. K. Awari
Principal

CADD
CENTRE
Enabling Digital Professionals



Date: 23/09/2016



TULSIRAMJI GAIKWAD-PATIL
College of Engineering & Technology

ISO 9000:2008 Certificate Institute

Mohgaon, Wardha Road, Nagpur - 441 108

Technical Training & Skill Development Cell

Session 2016-17

Certificate

This is to Certify that **Mr. Pradip Prakash Rane** of
Mechanical Engineering Department, Student of **5** Semester has
Successfully Completed Certification Course During **04/07/2016 to 21/09/2016**
Course Organized in association with **KEC**.

- | | |
|--|--|
| <input type="checkbox"/> 16 CCC-C Prog. | <input type="checkbox"/> 16CCML-MATLAB |
| <input checked="" type="checkbox"/> 16CCAUTO-AUTOCAD | <input type="checkbox"/> 16CCORA-ORACLESQL |
| <input type="checkbox"/> 16CCSP-STAADPRO | <input type="checkbox"/> 16CCPHP-PHP |
| <input type="checkbox"/> 16CCCCNA-CCNA | <input type="checkbox"/> 16CCCN-C#.NET |
| <input type="checkbox"/> 16CCCJ-COREJAVA | |

Course Coordinator

Technical Training & Skill Development
Cell Coordinator

External Agency
Coordinator

Dr. G. K. Awari
Principal

**CADD
CENTRE**
Pimpri Chinchwad Education Trust



Date: 23/09/2016